

Company presentation ADAM DESIGN s.r.o.
- selection of realized projects > 7/2013
Specialization : Industrial design

- Presentation of the ADAM DESIGN
- The product development process
- Reference projects – realized
- Reference projects – actual
- Reference projects – concepts



ADAM DESIGN creates industrial design from ideas to product



ADAM DESIGN s.r.o.

We are a team of experienced professionals specialised in the creation of design of serial products, which help our partners achieve their marketing and commercial objectives.

During project implementation, we pursue a comprehensive approach, which includes initial analysis, creation of idea concepts as well as supervision of implementation/putting prototypes into production. Thanks to this approach and our standard project management, we can guarantee compliance with particular concept, deadlines and costs.

In our HR strategy we aim for maximum team diversity, which creates potential for creative and original solutions. We follow current trends and attend exhibitions and conferences on design in order to provide ongoing professional services of the highest quality. Thus, we are able to offer visions of future development to our partners. For me and my fellow workers the company name represents an obligation to maintain high quality and professional nature of provided services. Our obligation includes respect for values associated with the company, which we want to develop together with our partners.

Jiří Adam, chief designer /CEO

INNOVATION and DESIGN

Finding innovative solutions is one of the main tasks for designers. Simpler construction solution, reduction in the number of production steps, easier installation and assembling as well as more effective distribution. These are some of the benefits of innovation introduced through industrial design as its tool. A successful design represents a perfect harmony of shape, materials and technologies. Design does not constitute only the outer packaging of a product, but also its substance, which includes product characteristics such as utility value, functionality, ergonomics, resilience, durability and obviously also its production costs.

VISION of SUCCESS

High-quality design is one of the preconditions for a product to succeed in the current hyper-competitive environment on the market. Collaboration of designers with commercial and marketing department in transforming customers' requirements and market opportunities into a particular product design has become the most effective method of innovation. From the perspective of long-term sustainability, the key aspect of a product is its design, a set of its quality characteristics, rather than its sale price.

OUR QUALIFICATION

Technical competence of our designers and constructors is the primary precondition for a successful design of serial products. Members of our team constantly learn about progressive technologies and materials, which enables us to meet not only aesthetic, but also technological and economic requirements on a particular product. Our specialised services include:

Our specialised services include:

market research and marketing analyses / concept creation / design creation / construction works and calculations / production of prototypes and models / supervision of putting prototypes into production

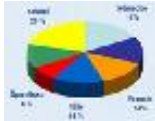
packaging and retail design > furniture design > electronics and machinery design > transport design



1. Analysis

Goals:

- 1. Market position +
- 2. Production cost -
- 3. Improvement of
- 4.



© 2012 ADAM DESIGN

2. Idea

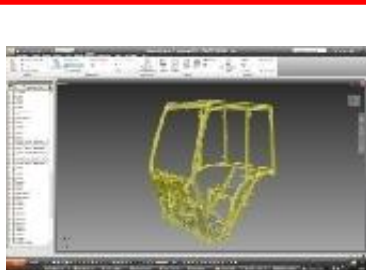


3. Design



www.adamdesign.cz

4. Construction



5. Prototype



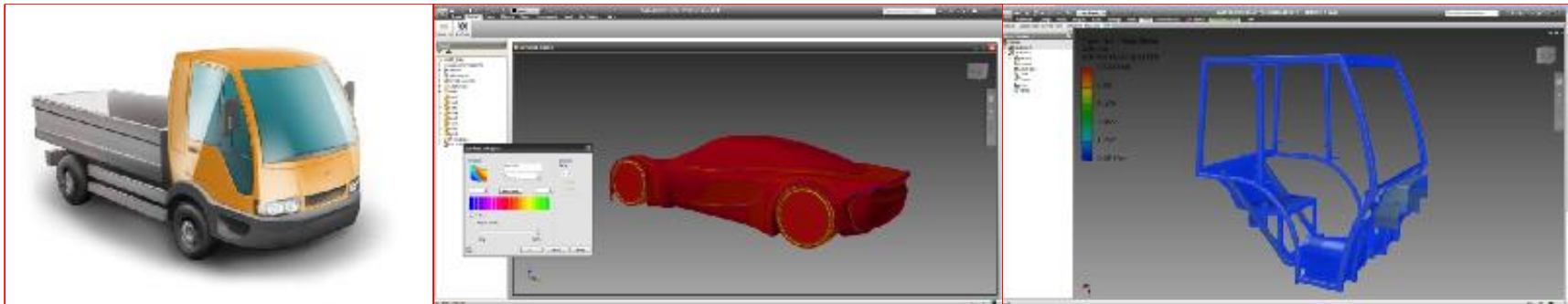
6. Product



ADAM DESIGN s.r.o.

the specialization in industrial design design contain the following professional services for each phase of design and development process:

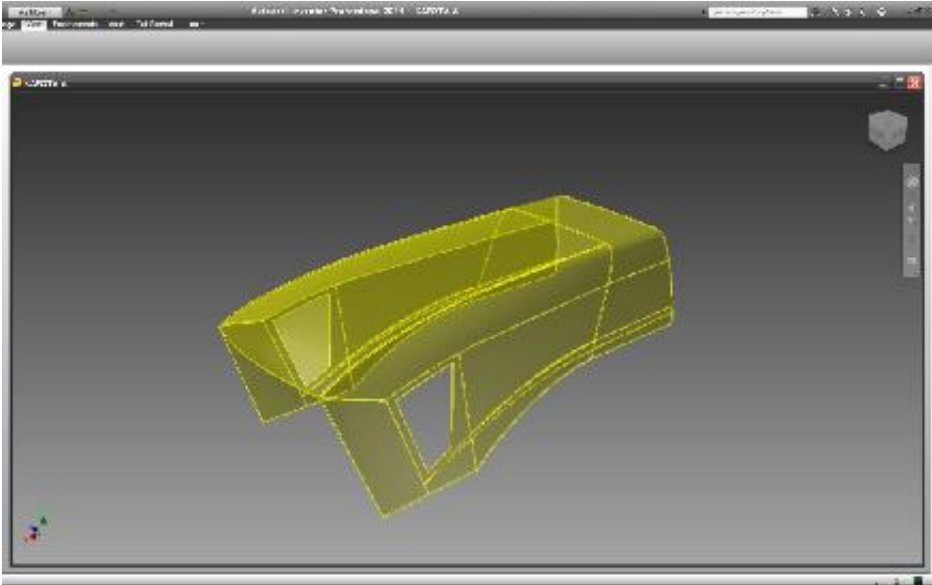
- Analysis of the market, target customers and existing products
- Sketches and ideas concepts
- 3D modeling, rendering, animation
- Product design
- 2D / 3D drawings and documentation
- Creating "A-class surfaces"
- Engineering, strength and aerodynamic analysis
- Design of molds and production jigs
- Production of prototype parts
- Professional consulting and project management
- Support for the preparation of serial production









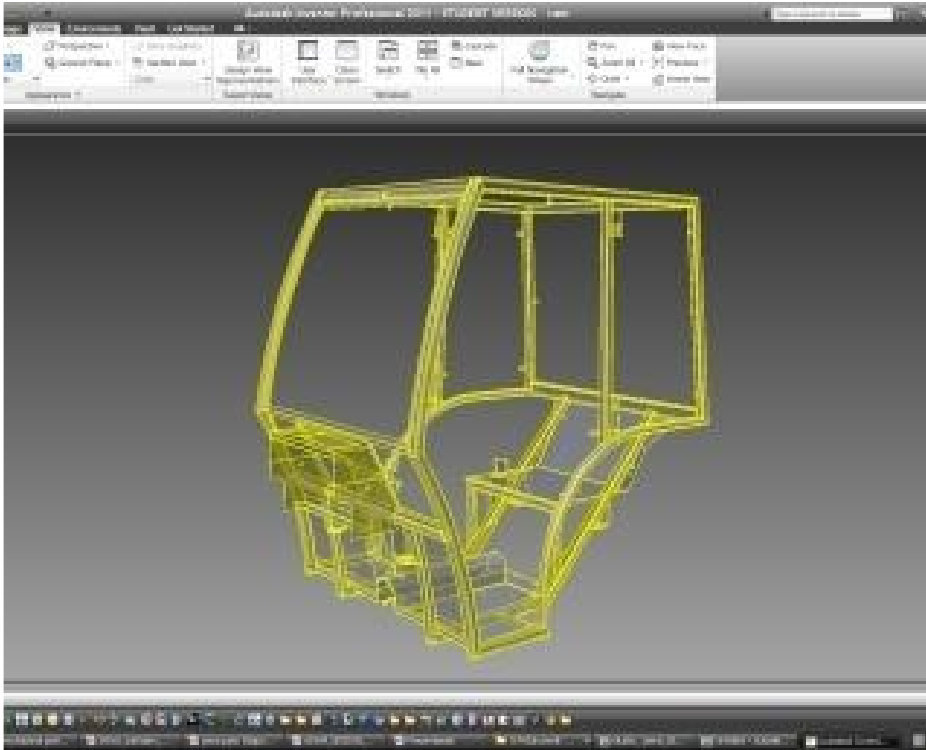










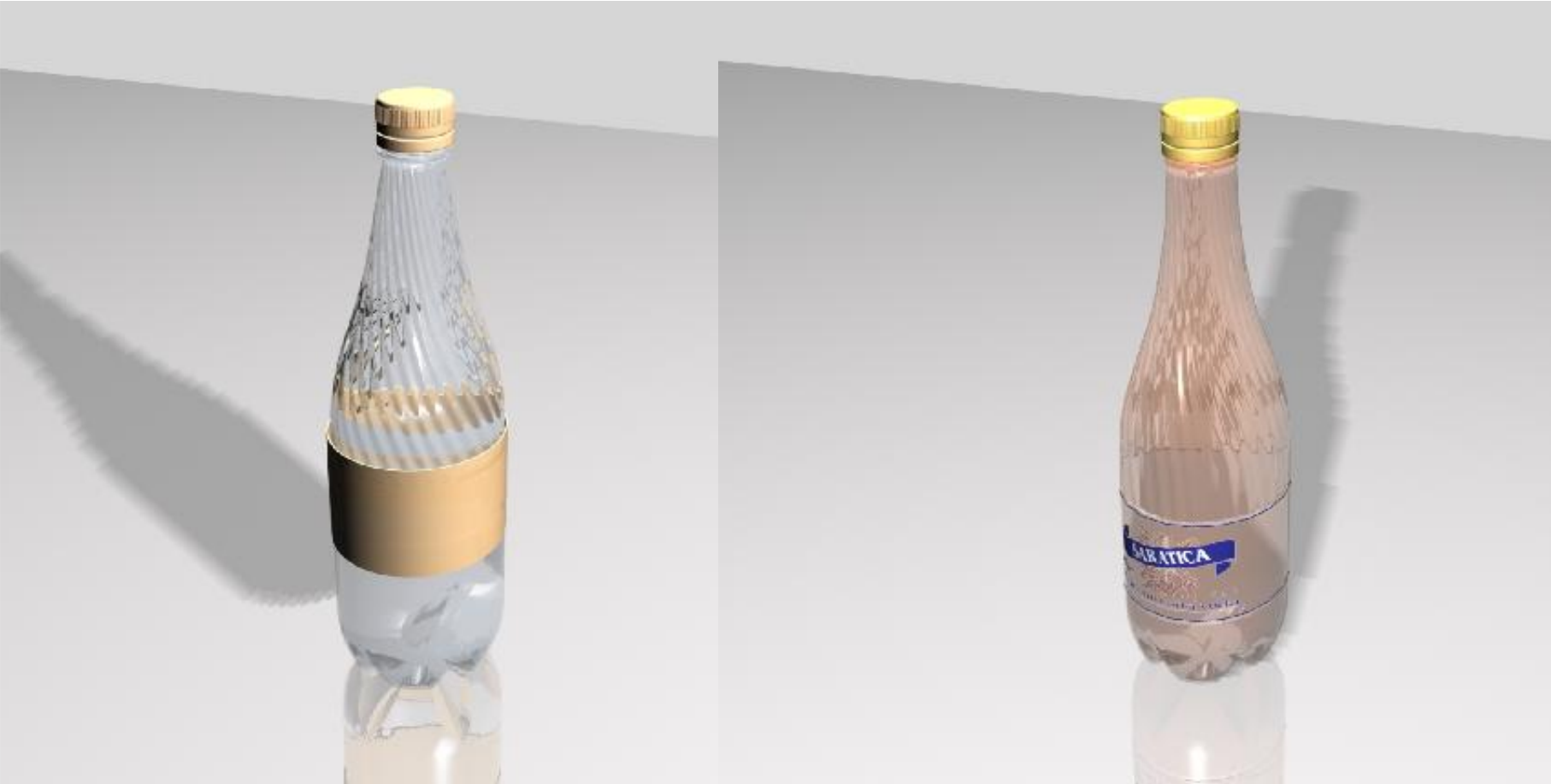




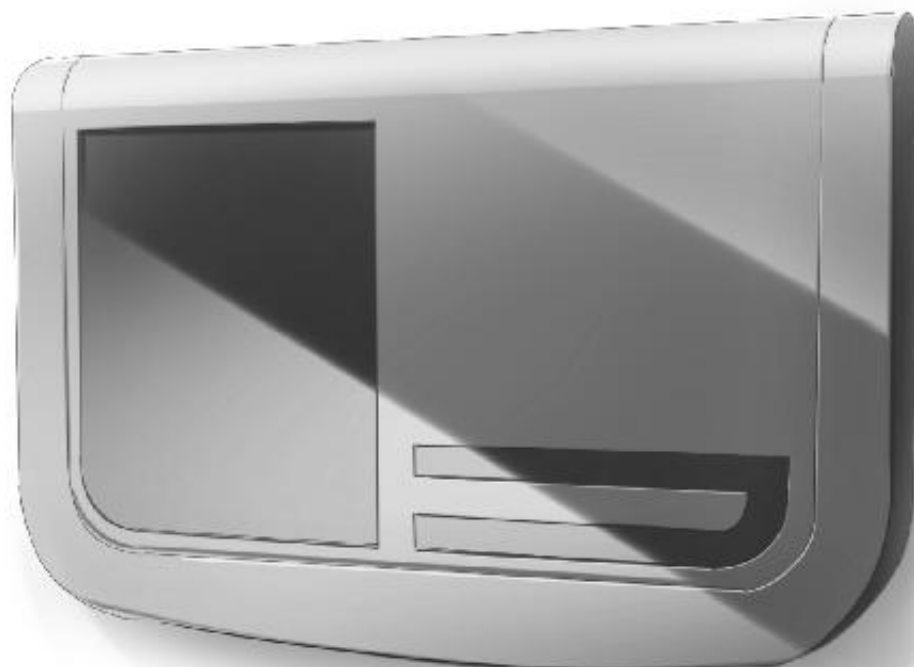






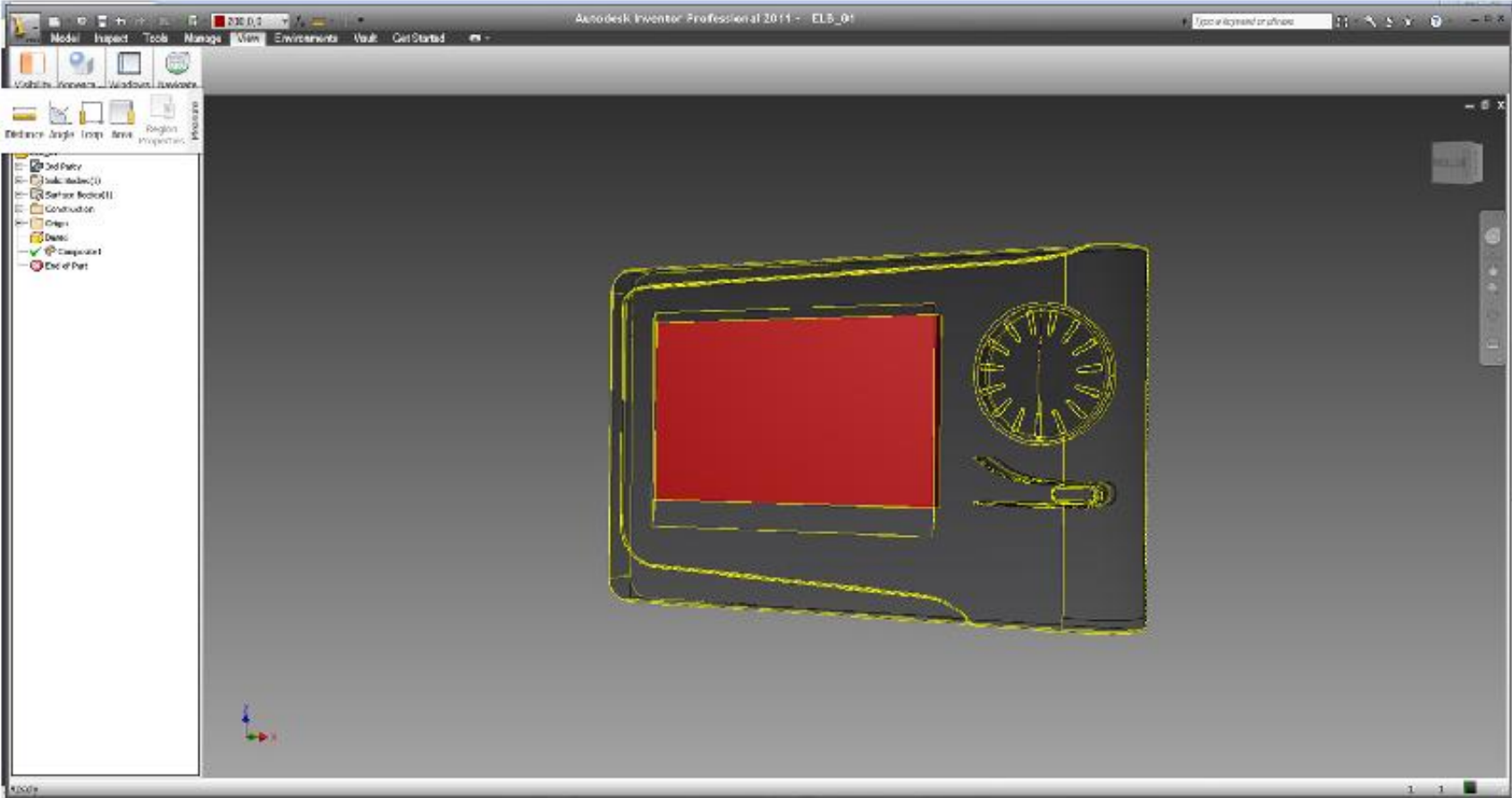




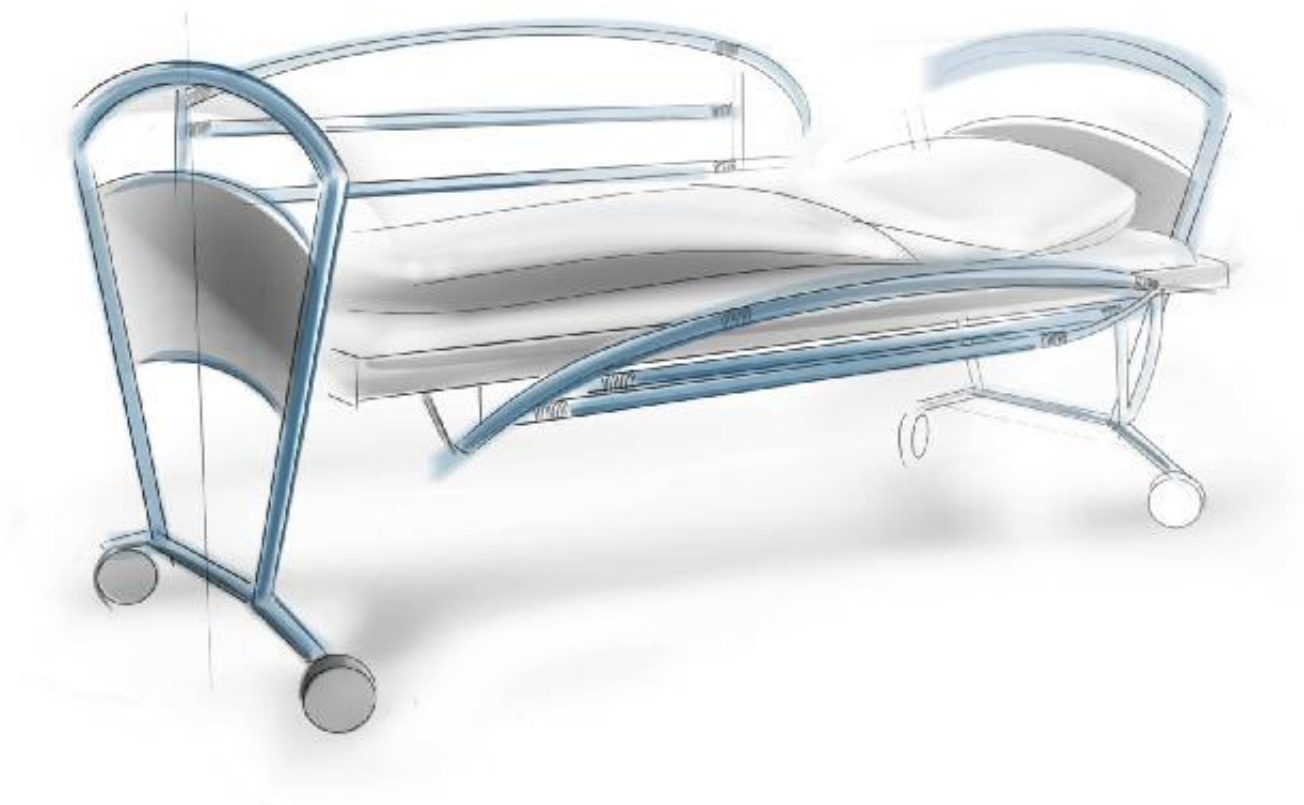












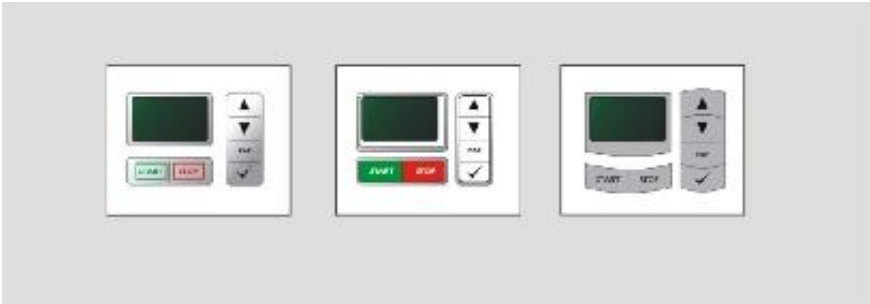


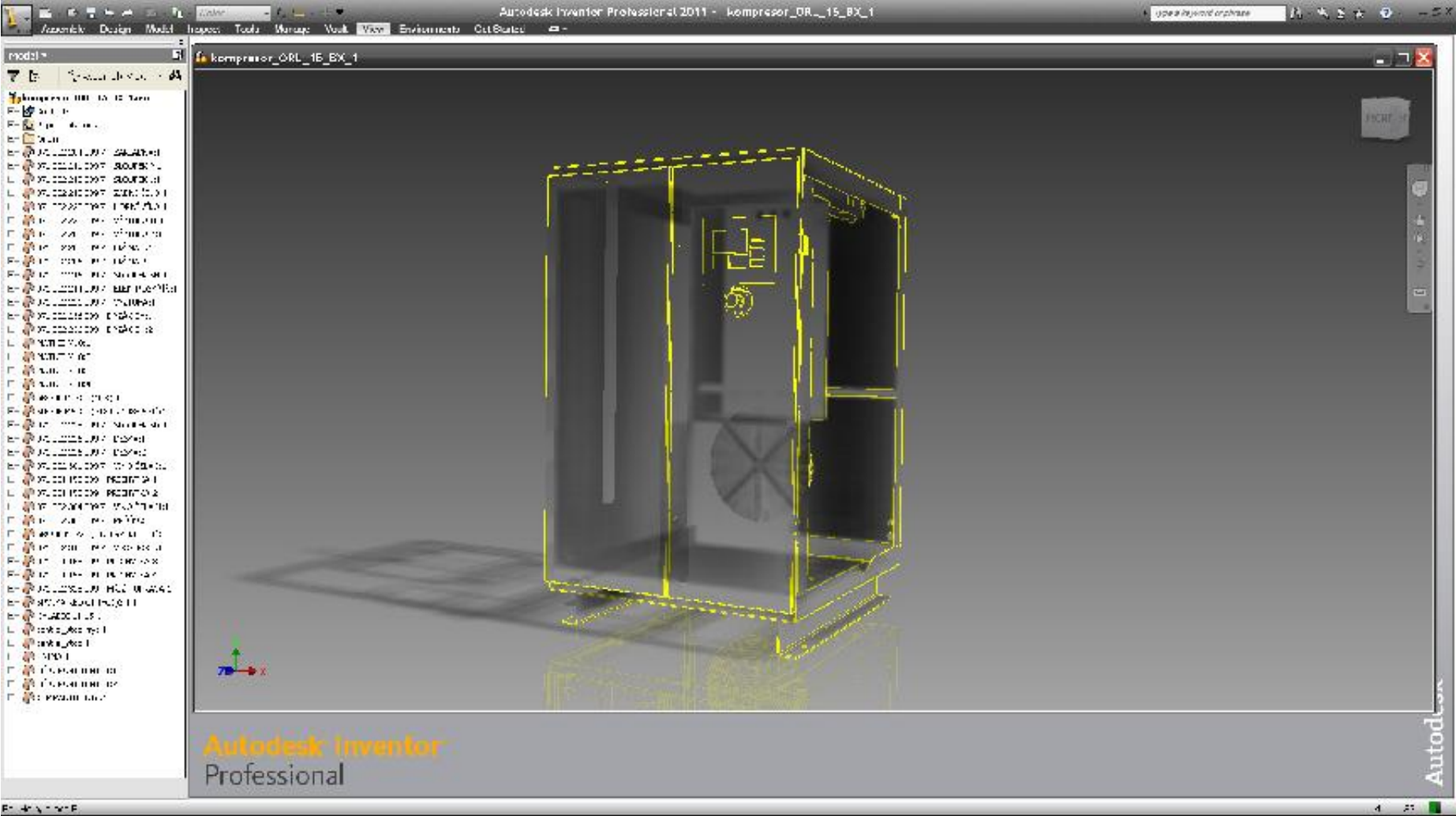












ORLIK COMPRESSORS

ÚVODNÍ STRÁNKA PŘIHLÁŠIT SE REGISTRACE NAPIŠTE NĀM KONTAKTY ODLOUČNÍ PODMÍNKY

Vyhledat:

Košík Počet: 0 Cena celkem: 0,- Kč

Kompresory

- ▶ Mŕn kompresory
- ▶ Pŕstava - Optima
- ▶ Pŕstava - Profi panel
- ▶ Pŕstava - Original
- ▶ Šroubové - Original

Sušičky vzduchu


Pneumatiké nářadí

- ▶ Utahovačky
- ▶ Serpŕt klavŕy
- ▶ Šroubováky odškolovače
- ▶ Špičkaté píšťaly
- ▶ Vozíky
- ▶ Buzky
- ▶ Boční váhy a váhy
- ▶ Sporné váhy, třecí váhy, váhy

cesta: ORLIK > KOMPRESORY > Kompresory > Šroubové kompresory ORLIK

Šroubové kompresory ORLIK

Kód zboží
Kategorie
Dodací lhůta
Záruka
Cena bez DPH
Cena s DPH



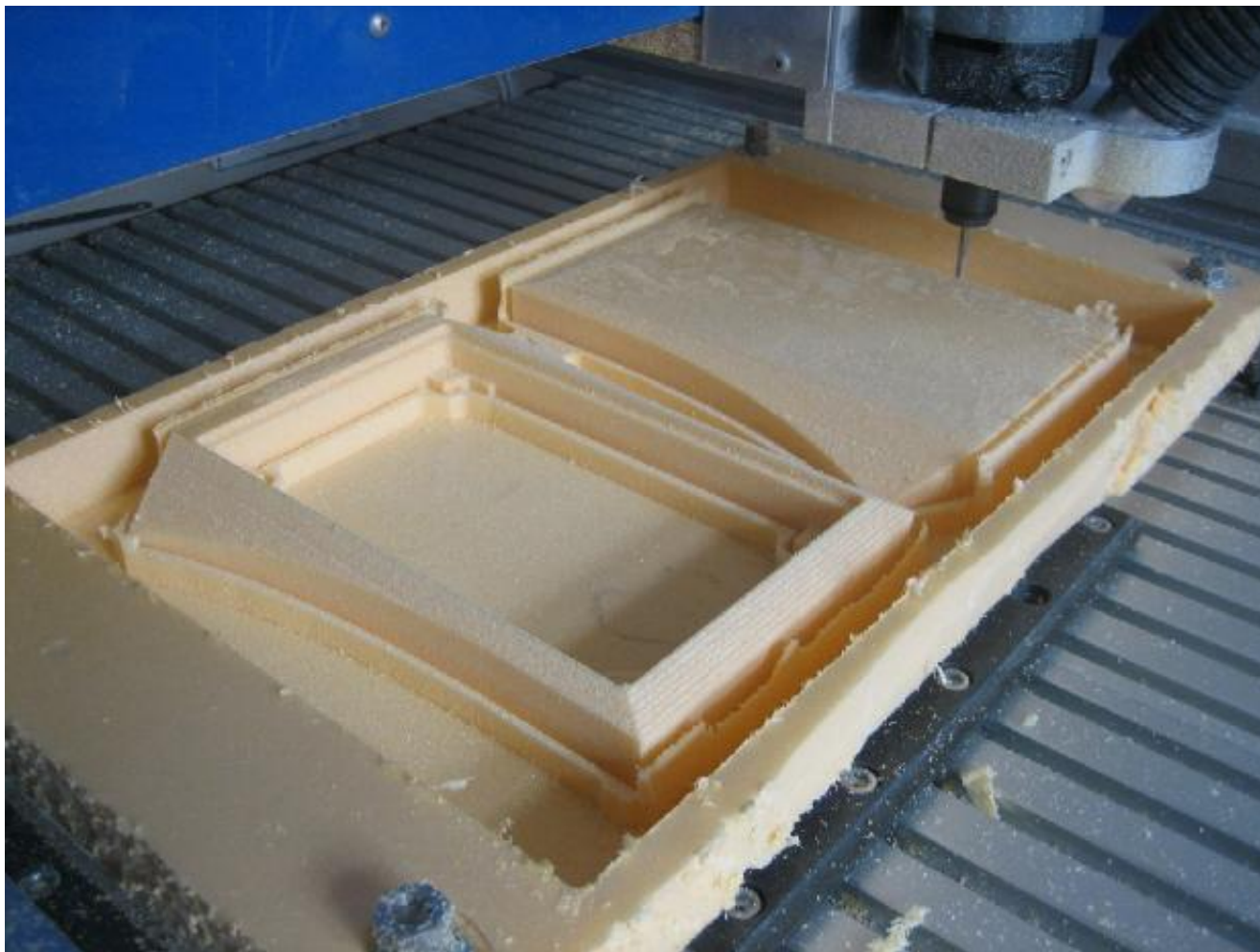
Popis

Šroubové kompresory ORLIK jsou jednoduché, trvanlivé a spolehlivé. Vyznačují se dlouhou životností a vysokou kapacitou. Kompresory vyrábíme v několika provedeních.

© 2013 ADAM DESIGN

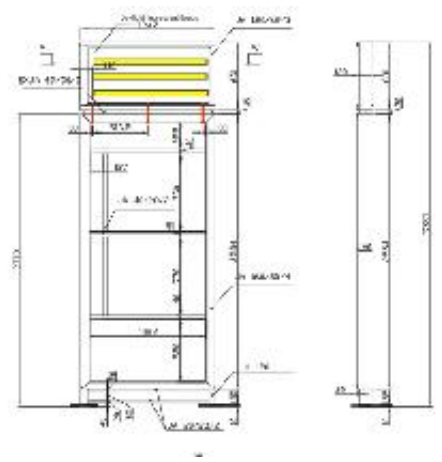
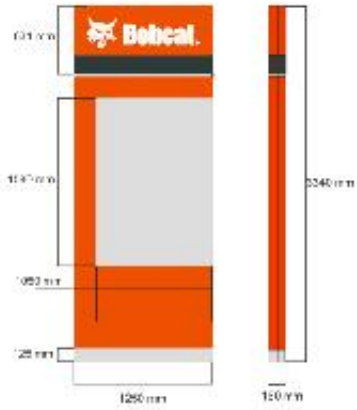
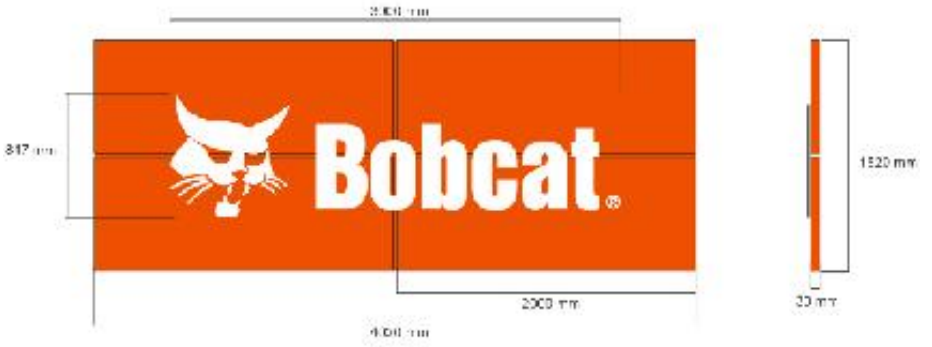








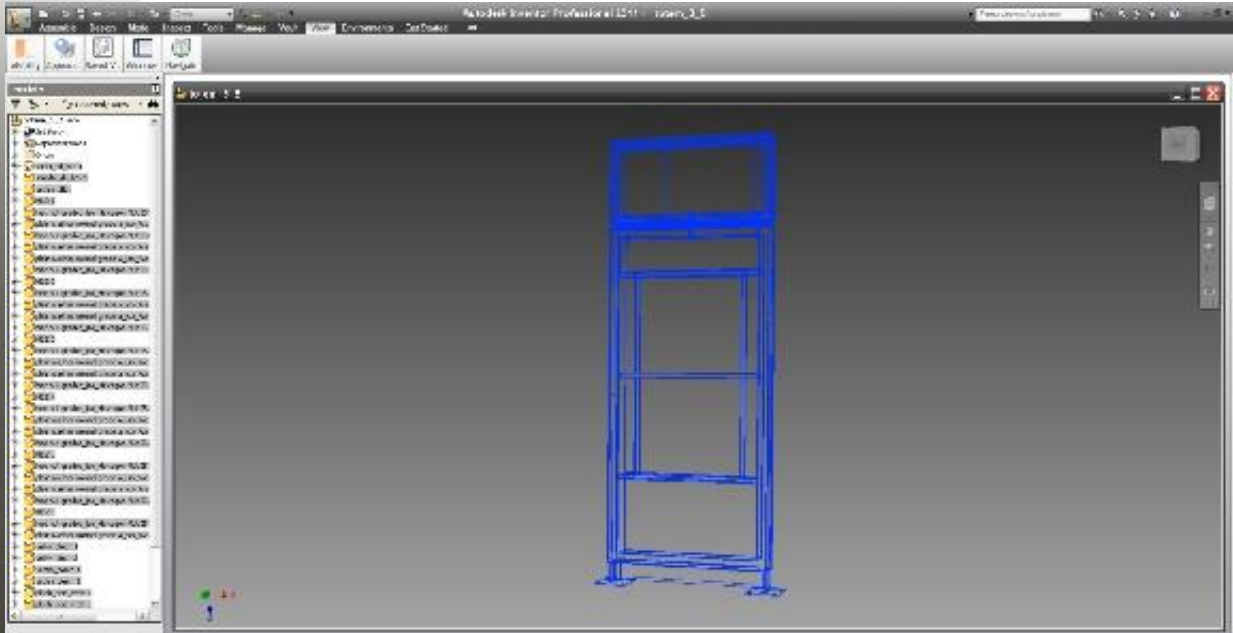
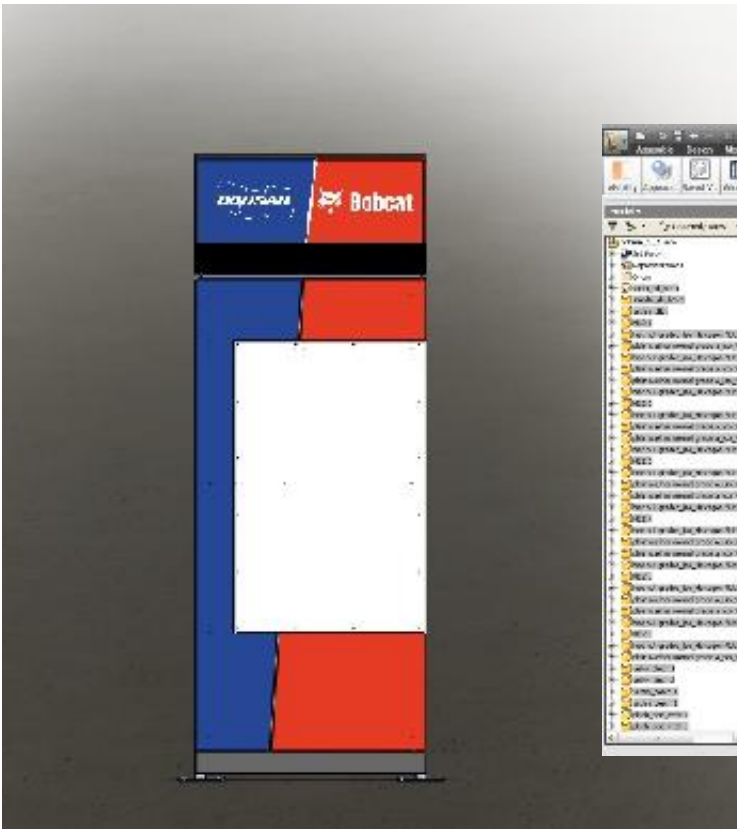






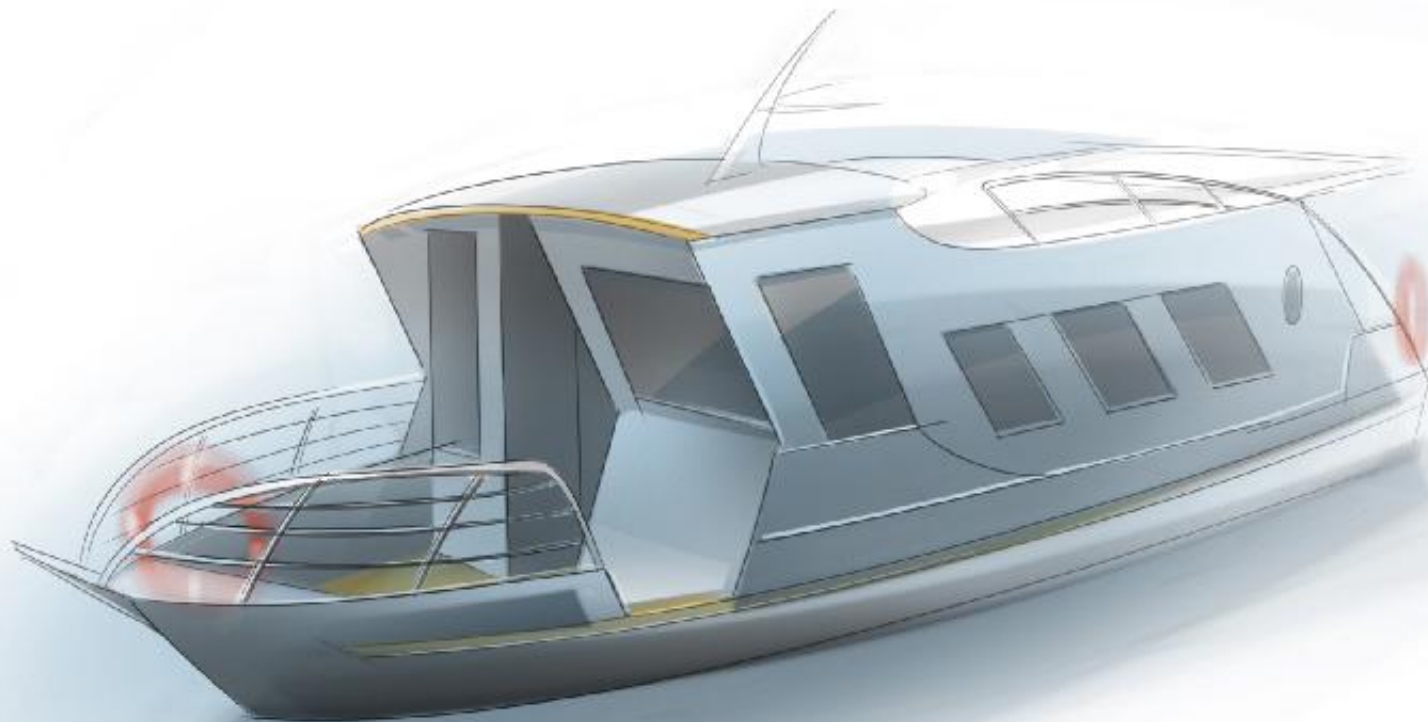






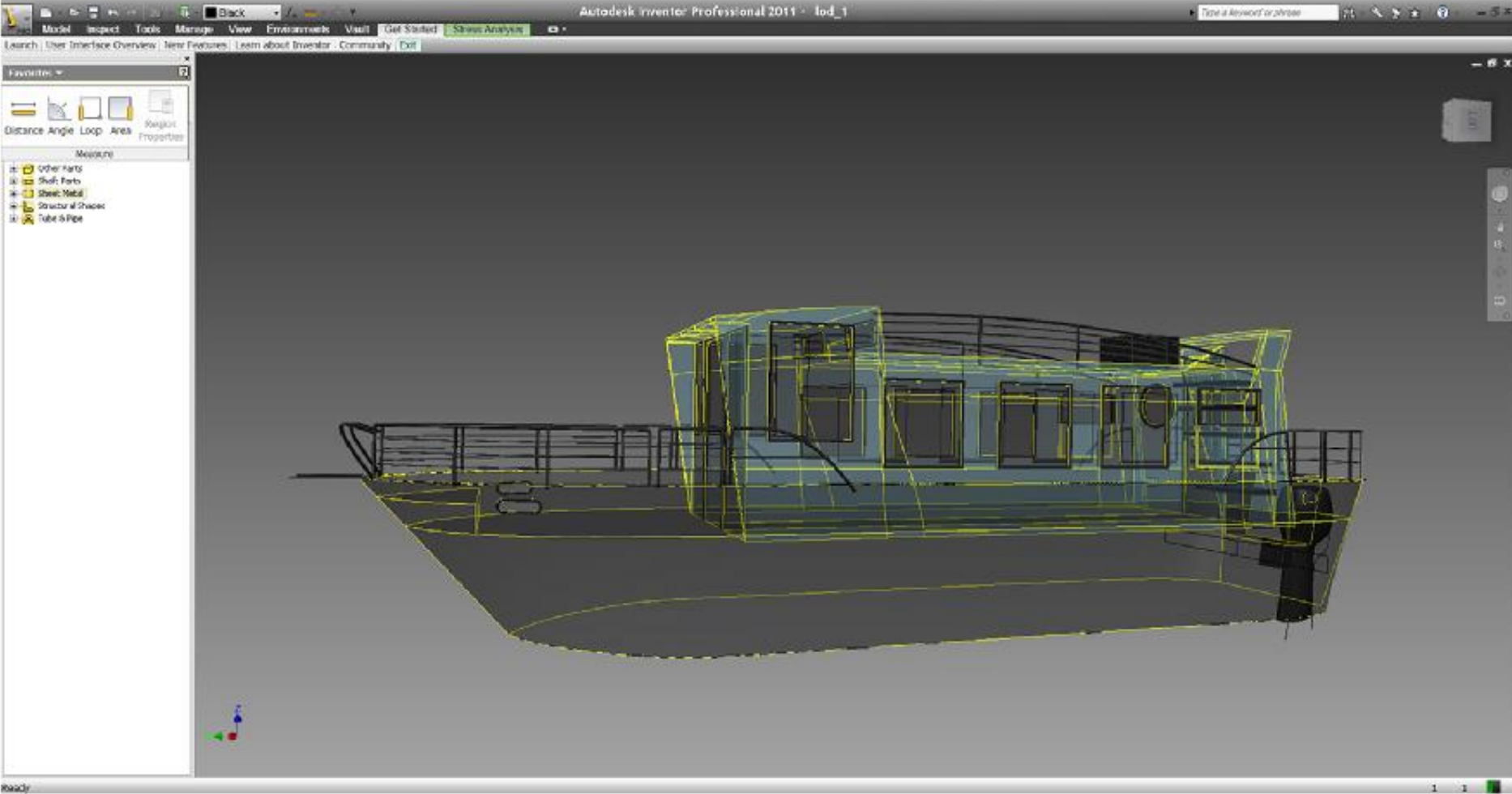








industrial design– realized projects













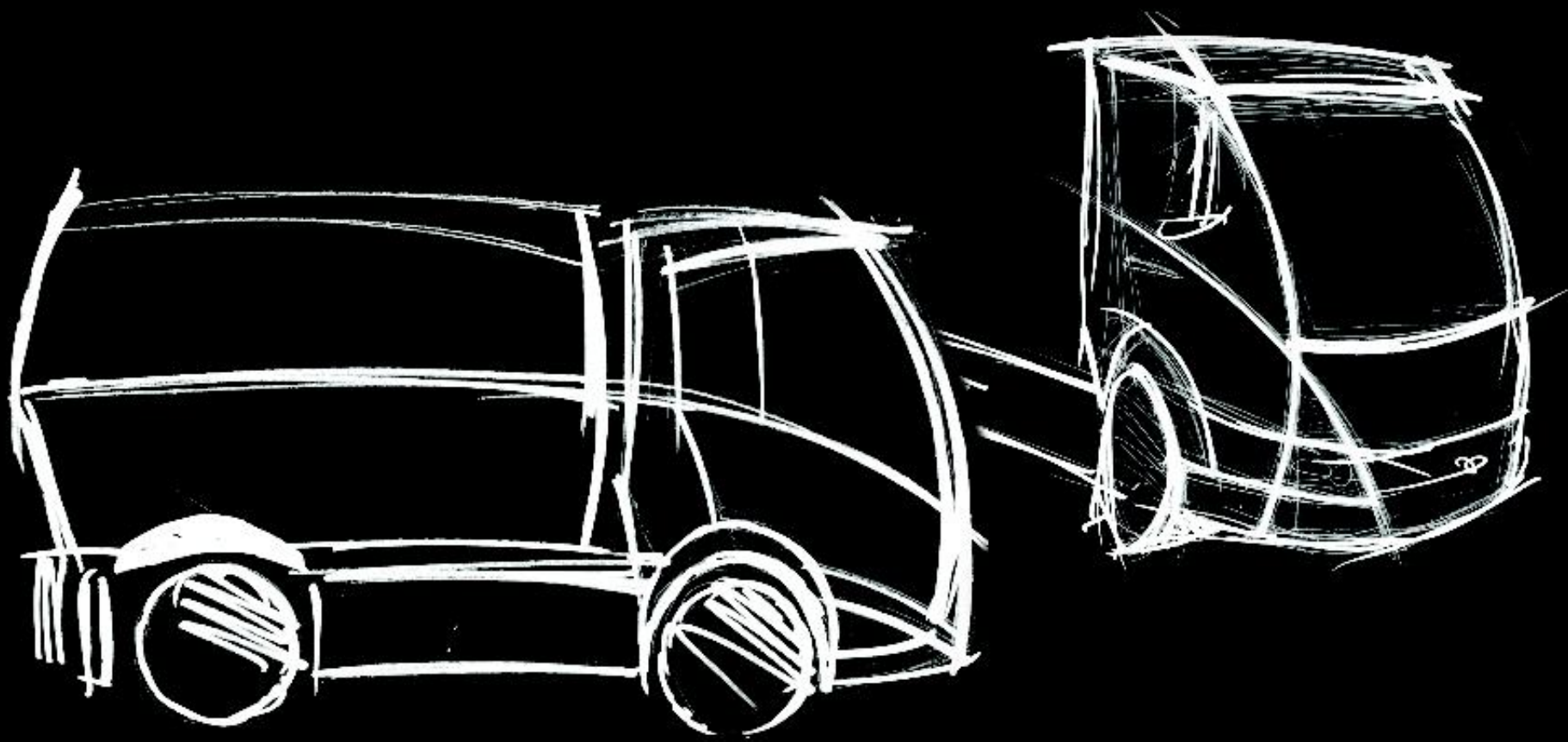






previous design



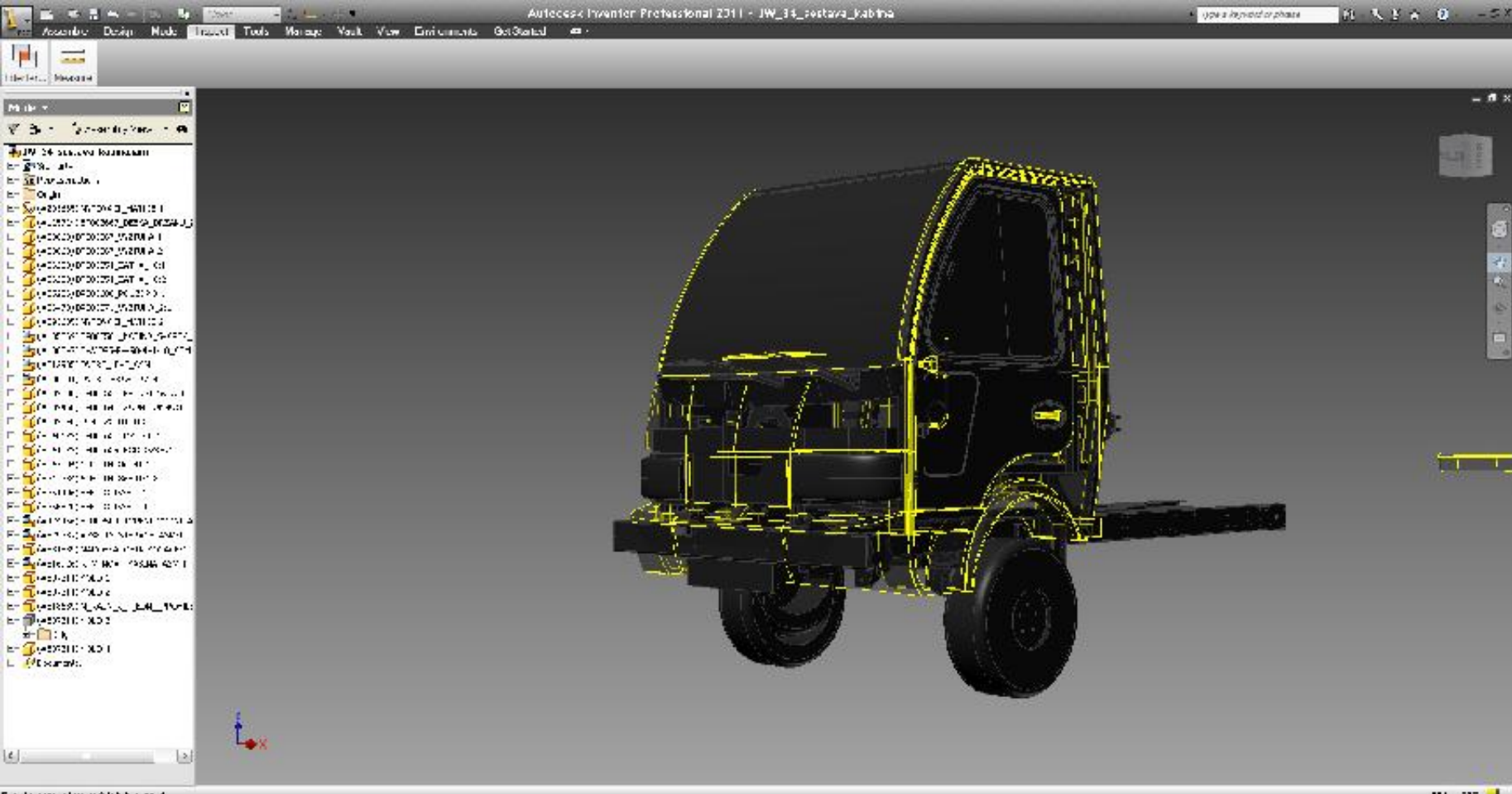




























previous design















illustrative image - not actual fact - will be published after launch on market



© 2013 ADAM DESIGN s.r.o.

illustrative image - not actual fact - will be published after launch on market



© 2013 ADAM DESIGN s.r.o.

illustrative image - not actual fact - will be published after launch on market

actual design





illustrative image - not actual fact - will be published after launch on market



illustrative image - not actual fact - will be published after launch on market

actual design





illustrative image - not actual fact - will be published after launch on market

A green and black tractor is shown in a grassy field. The tractor has a large front hood with black diagonal stripes and a black canopy. It is positioned in the center of the frame, facing left. The background features a dense forest of evergreen and deciduous trees, with a mountain range in the distance under a clear blue sky.

© 2013 ADAM DESIGN s.r.o.

illustrative image - not actual fact - will be published after launch on market



illustrative image - not actual fact - will be published after launch on market

© 2013 ADAM DESIGN s.r.o.



illustrative image - not actual fact - will be published after launch on market



© 2013 ADAM DESIGN s.r.o.

illustrative image - not actual fact - will be published after launch on market



© 2013 ADAM DESIGN s.r.o.

illustrative image - not actual fact - will be published after launch on market



© 2013 ADAM DESIGN s.r.o.

illustrative image - not actual fact - will be published after launch on market



© 2013 ADAM DESIGN s.r.o.

illustrative image - not actual fact - will be published after launch on market



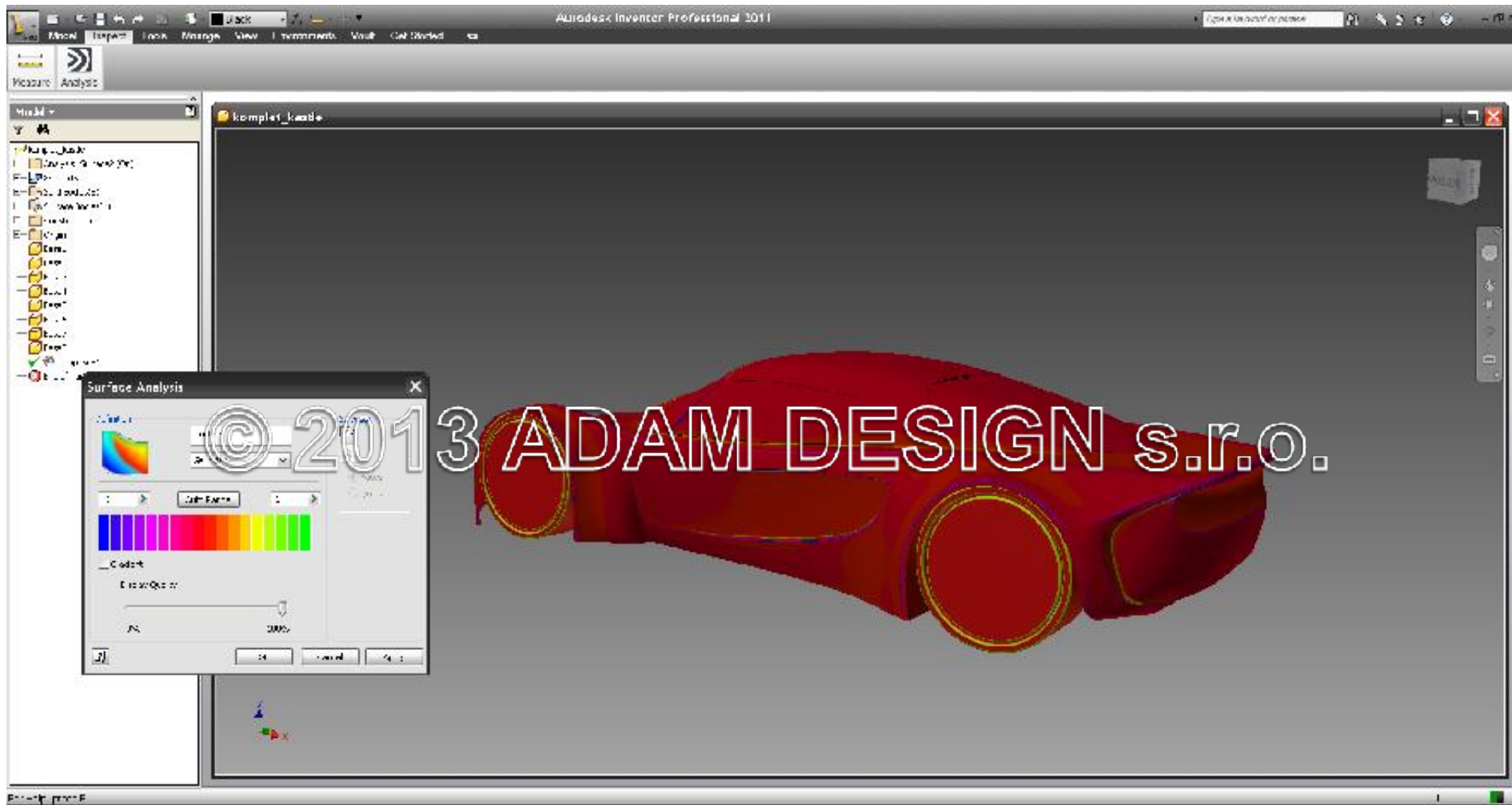
illustrative image - not actual fact - will be published after launch on market



illustrative image - not actual fact - will be published after launch on market



illustrative image - not actual fact - will be published after launch on market



illustrative image - not actual fact - will be published after launch on market



© 2013 ADAM DESIGN s.r.o.

illustrative image - not actual fact - will be published after launch on market



© 2013 ADAM DESIGN s.r.o.

illustrative image - not actual fact - will be published after launch on market



illustrative image - not actual fact - will be published after launch on market



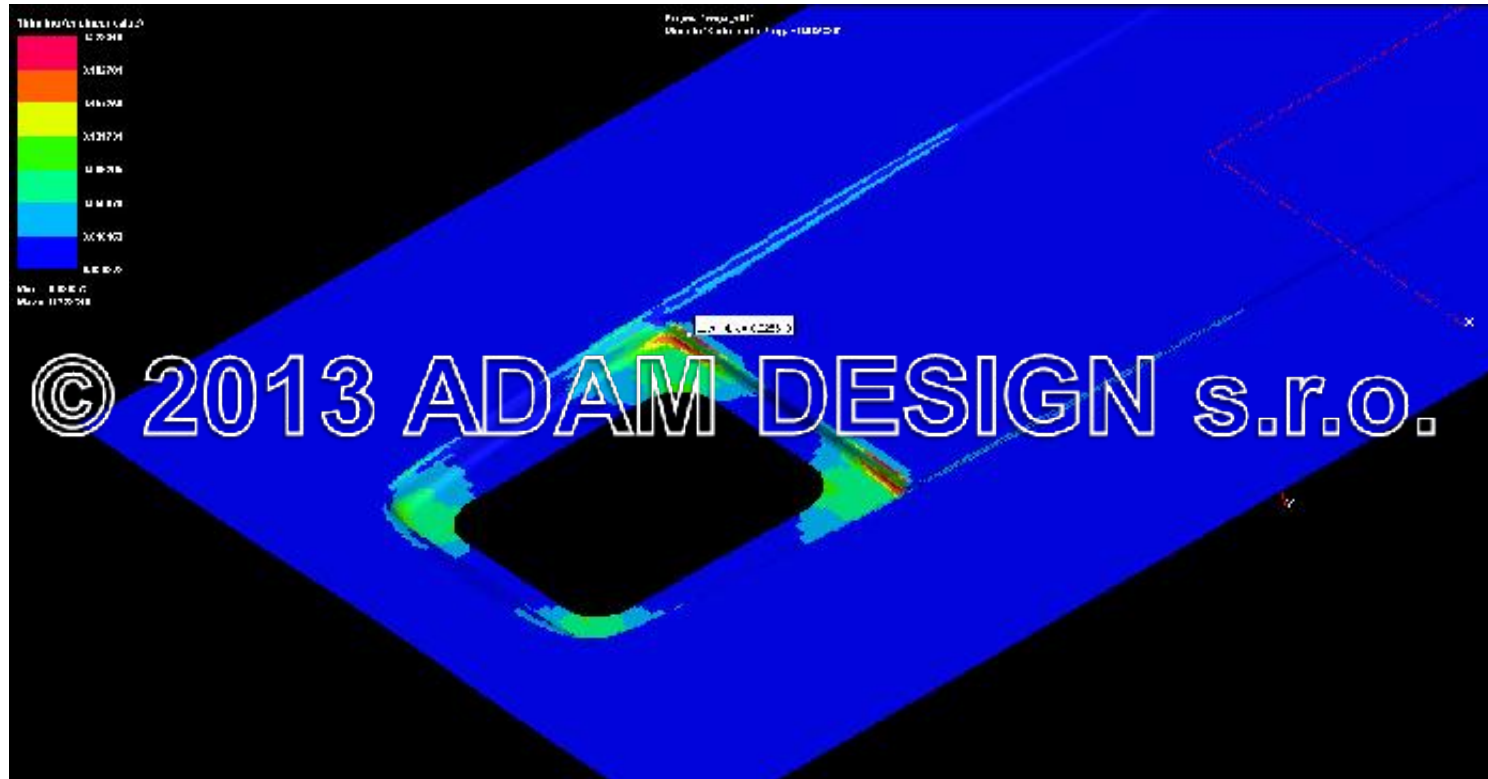
© 2013 ADAM DESIGN s.r.o.

illustrative image - not actual fact - will be published after launch on market

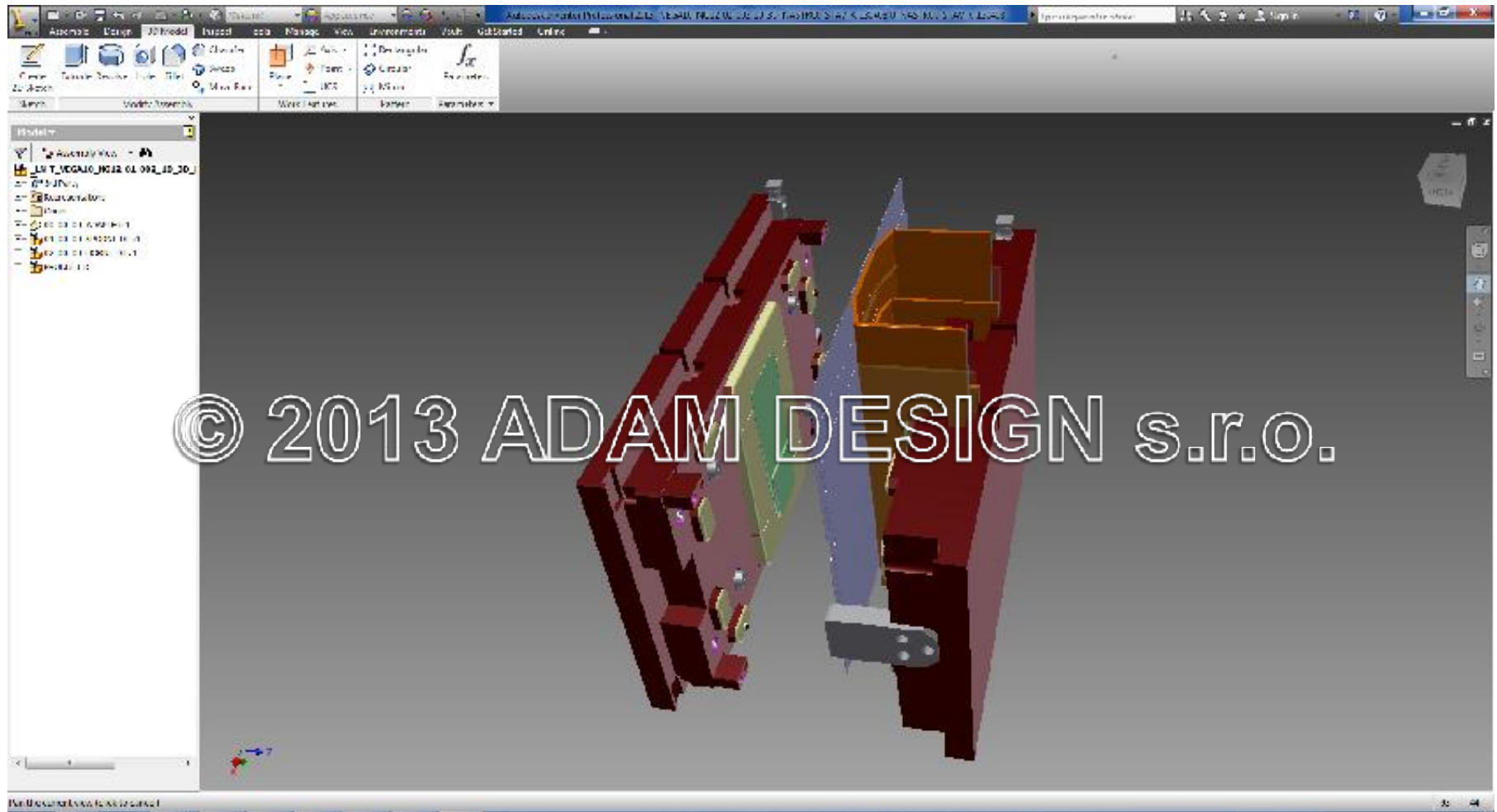


© 2013 ADAM DESIGN s.r.o.

illustrative image - not actual fact - will be published after launch on market



illustrative image - not actual fact - will be published after launch on market



illustrative image - not actual fact - will be published after launch on market



© 2013 ADAM DESIGN s.r.o.



© 2013 ADAM DESIGN s.r.o.



© 2013 ADAM DESIGN s.r.o.

© 2013 ADAM DESIGN s.r.o.

A yellow tracked excavator is the central focus of the image, positioned on a dirt and gravel construction site. The excavator's arm is extended to the left, and its bucket is lowered. The background features a dense forest of tall, thin trees under a clear blue sky with a few wispy clouds. The ground is uneven, with some construction materials and debris visible. A large, semi-transparent watermark is overlaid across the center of the image.

© 2013 ADAM DESIGN s.r.o.

© 2013 ADAM DESIGN s.r.o.

benefits of good DESIGN ?

- increasing the functional value of the product to the customer
- sales support, product profitability and brand communication
- success in maintaining or. increase market share in a highly competitive environment
- reducing the cost of production, logistics and marketing communication

benefits of ADAM DESIGN

- Knowledge of production technology from forming, stamping, machining a wide range of materials
- Innovative solutions with an emphasis on maximizing your selling arguments and benefits for the customer and users
- The effective progress of the project through the keeping process management standards
- Clear and comprehensible communication
- Responsible approach, since we know that only when we deliver results for our partners, we could be ourselves succeed

ADAM DESIGN creates industrial design from ideas to product

Thank you for your attention and we are looking forward to our cooperation